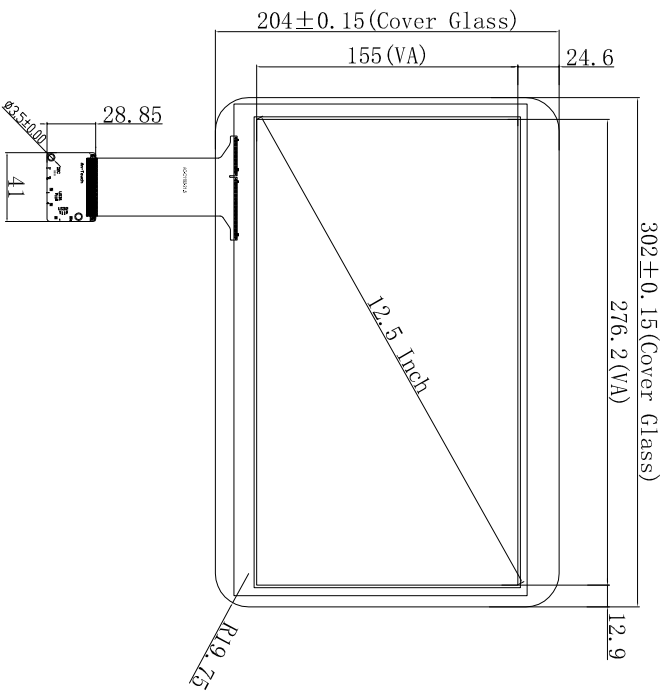


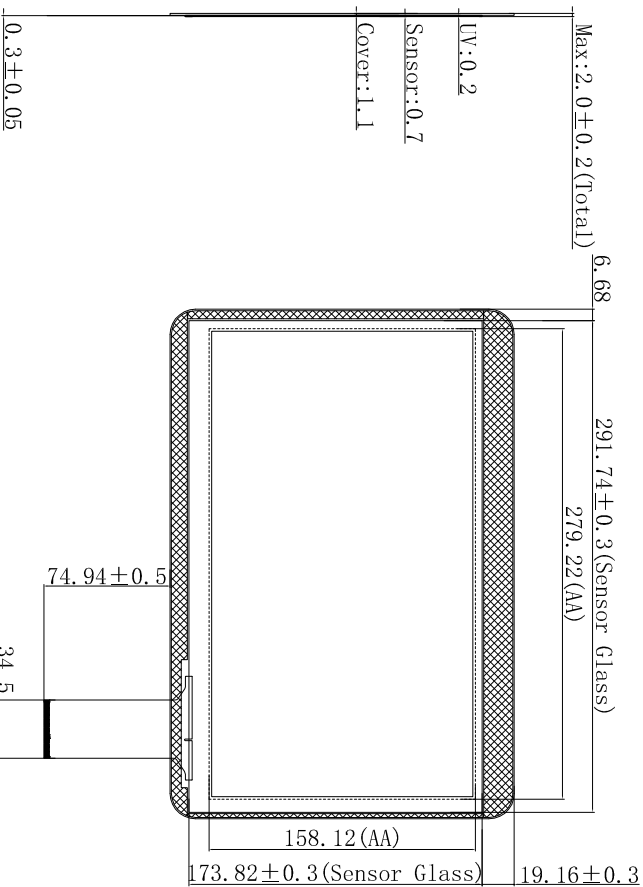
REV	MARK	HISTORY	DATE	NAME
REV. 0	—	—	2017.09.21	JSY



TOP VIEW



SIDE VIEW



BACK VIEW

- Notes:
1. TP Structure: G+G;
 2. TP Type: COB; IC: IL1TEK2511
 3. Transmittance: $\geq 85\%$
 4. Hardless: $> 6H$
 5. Operating conditions: $-10^{\circ}\text{C}^{\sim}+60^{\circ}\text{C}$, $\leq 85\%RH$
 6. Storage conditions: $-10^{\circ}\text{C}^{\sim}+65^{\circ}\text{C}$, $\leq 85\%RH$
 7. Unspecified tolerance: $\pm 0.2\text{mm}$
 8. All materials in the drawing comply with the Rosh

J1 (USB通讯)

PIN	定义
1	VDD/5V
2	D-
3	D+
4	GND

1st ANGLE PROJECTION

SHEET	UNIT	SCALE	1st ANGLE PROJECTION
1 of 1	mm	1 : 1	

AC-C1403-12.5 (USB) DRAWING			
DESIGN	JSY	DATE	2017.09.21
CHECK	JSY	DATE	2017.09.21